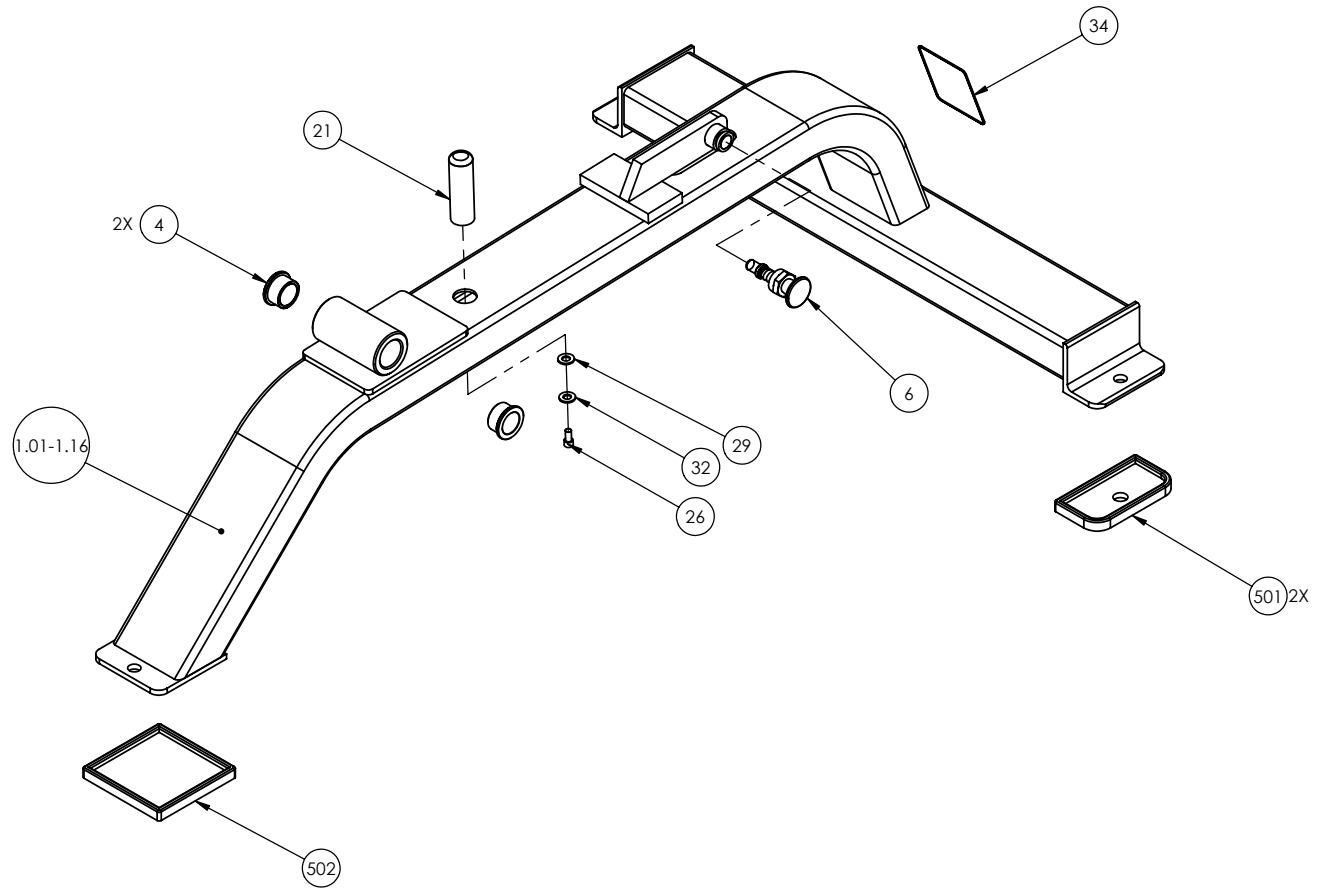
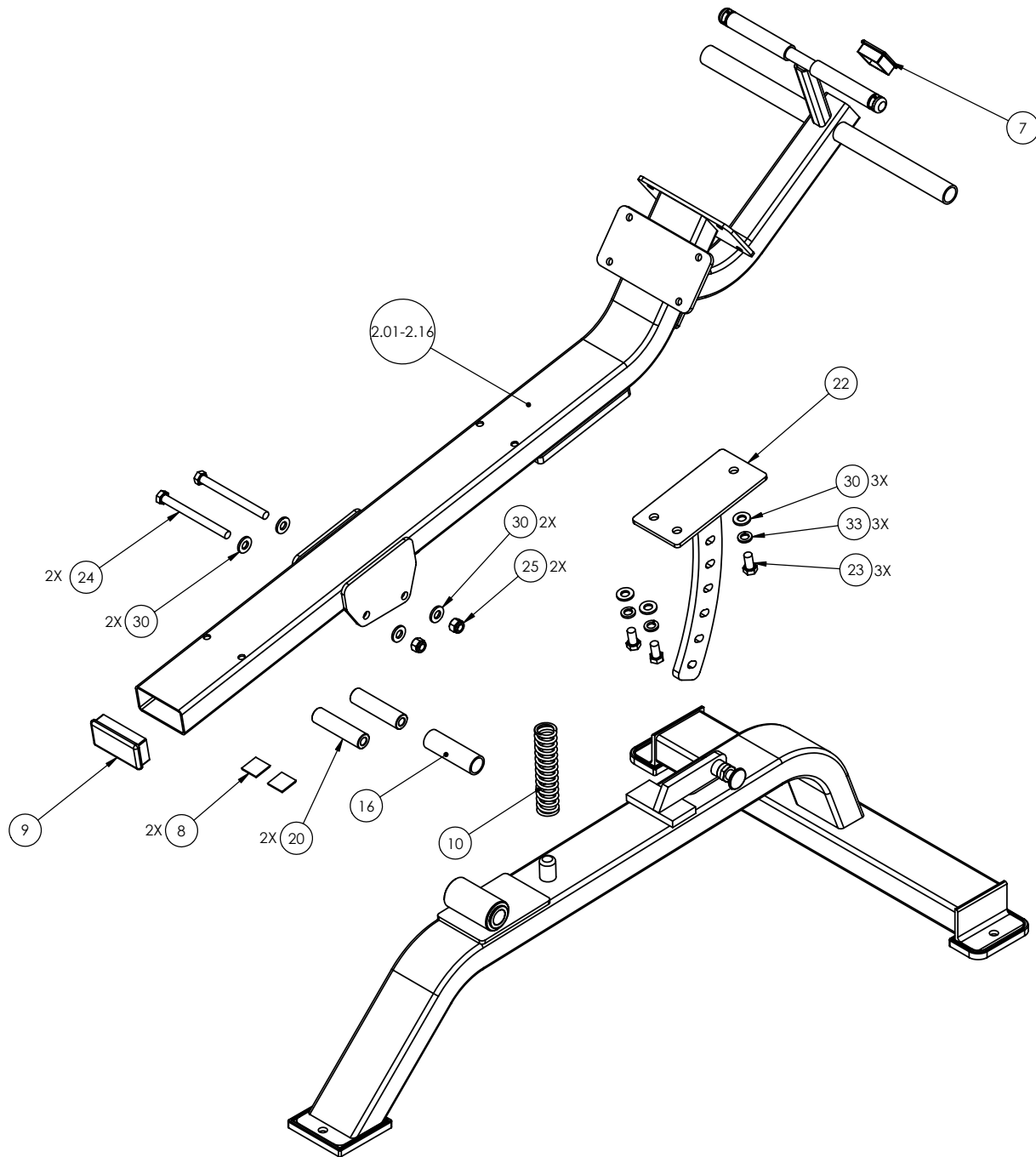


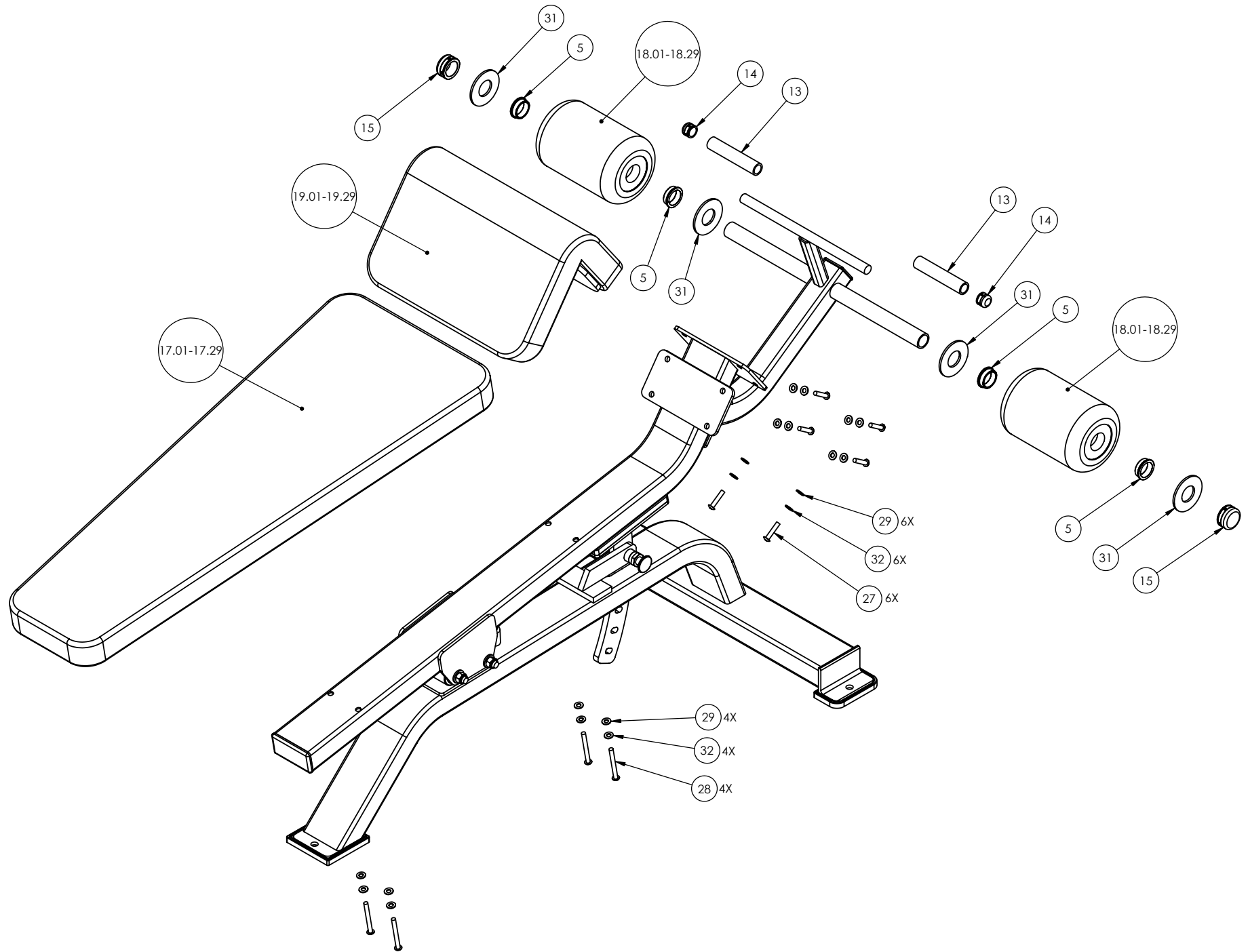
113	P/N : CW30925-101	SUBREV : B
DRAWN BY : CT	DATE : 09.21.05	SHEET 1 OF 4



113	P/N : CW30925-101	SUBREV : B
DRAWN BY : CT	DATE : 09.21.05	SHEET 2 OF 4



113	P/N : CW30925-101	SUBREV : B
DRAWN BY : CT	DATE : 09.21.05	SHEET 3 OF 4



113	P/N : CW30925-101	SUBREV : B
DRAWN BY : CT	DATE : 09.21.05	SHEET 4 OF 4

113 Decline Bench

Part Number	Description	Bubble Number
CW113SA1-211	ASSY,FRAME,MAIN,113,SKY WHITE	1.01
CW113SA1-221	ASSY,FRAME,MAIN,113,BLACK	1.02
CW113SA1-231	ASSY,FRAME,MAIN,113,RED	1.03
CW113SA1-241	ASSY,FRAME,MAIN,113,PLATINUM SPRKLE	1.04
CW113SA1-251	ASSY,FRAME,MAIN,113,SILVER	1.05
CW113SA1-261	ASSY,FRAME,MAIN,113,BLUE	1.06
CW113SA1-271	ASSY,FRAME,MAIN,113,CHARCOAL	1.07
CW113SA1-281	ASSY,FRAME,MAIN,113,CATHEDRAL GRAY	1.08
CW113SA1-291	ASSY,FRAME,MAIN,113,SILVER VIEN	1.09
CW113SA1-311	ASSY,FRAME,MAIN,113,STONE H	1.11
CW113SA1-321	ASSY,FRAME,MAIN,113,TITANIUM HG	1.12
CW113SA1-331	ASSY,FRAME,MAIN,113,WHITE GLOSS	1.13
CW113SA1-341	ASSY,FRAME,MAIN,113,BLACK ONYX	1.14
CW113SA1-351	ASSY,FRAME,MAIN,113,LIGHT BRONZE	1.15
CW113SA1-361	ASSY,FRAME,MAIN,113,SAPPHIRE BLUE	1.16
CW113SA2-211	ASSY,FRAME,SEAT,113,SKY WHITE	2.01
CW113SA2-221	ASSY,FRAME,SEAT,113,BLACK	2.02
CW113SA2-231	ASSY,FRAME,SEAT,113,RED	2.03
CW113SA2-241	ASSY,FRAME,SEAT,113,PLATINUM SPRKLE	2.04
CW113SA2-251	ASSY,FRAME,SEAT,113,SILVER	2.05
CW113SA2-261	ASSY,FRAME,SEAT,113,BLUE	2.06
CW113SA2-271	ASSY,FRAME,SEAT,113,CHARCOAL	2.07
CW113SA2-281	ASSY,FRAME,SEAT,113,CATHEDRAL GRAY	2.08
CW113SA2-291	ASSY,FRAME,SEAT,113,SILVER VEIN	2.09
CW113SA2-311	ASSY,FRAME,SEAT,113,STONE HG	2.11
CW113SA2-321	ASSY,FRAME,SEAT,113,TITANIUM HG	2.12
CW113SA2-331	ASSY,FRAME,SEAT,113,WHITE GLOSS	2.13
CW113SA2-341	ASSY,FRAME,SEAT,113,BLACK ONYX	2.14
CW113SA2-351	ASSY,FRAME,SEAT,113,LIGHT BRONZE	2.15
CW113SA2-361	ASSY,FRAME,SEAT,113,SAPPHIRE BLUE	2.16
CW10043-134	BUSHING, BRONZE, 1" ID X 1 1/4" OD	4
CW10043-135	BUSHING, BRONZE, 1 1/4" ID X 1 1/2"	5
CW30165-751	ASSY, POP PIN, 0.450 DIA HANDLE, B	6
CW11311-103	ENDCAP, REC TUBE, 2X2, BLK PLASTIC	7
CW12575-101	MOULDED BUMPON, BLACK, 31.75MM SQ (8
CW11311-102	ENDCAP, REC TUBE, 2X4, BLK PLASTIC	9
CWAC1158-731	SPRING, COMPRESSION, 1 9/32 OD X 1	10
CWGR2505-000	GRIP,RUBBER,3/4" DIA, 5"	13
CWAC220-901	HANDLE END CAP W/SET SCREWS, DIA 3/	14
CWAC221-901	SHAFT END CAP W/SET SCREWS, DIA 1 1	15
CWGR2604-000	GRIP,RUBBER, 1" DIA, 4	16
CWPD1208J-101	PAD,9X17X42,4HOLES,W/BP,BLACK,W/SLI	17.01
CWPD1208J-102	PAD,9X17X42,4HOLES,W/BP,RYL BL,W/SL	17.02
CWPD1208J-103	PAD,9X17X42,4HOLES,W/BP,DVE GRY,W/S	17.03
CWPD1208J-104	PAD,9X17X42,4HOLES,W/BP,CROCUS,W/SL	17.04
CWPD1208J-105	PAD,9X17X42,4HOLES,W/BP,GROTTO,W/SL	17.05
CWPD1208J-106	PAD,9X17X42,4HOLES,W/BP,GRAPHITE,W/	17.06
CWPD1208J-107	PAD,9X17X42,4HOLES,W/BP,RED,W/SLIP	17.07
CWPD1208J-108	PAD,9X17X42,4HOLES,W/BP,CHN GRN,W/S	17.08

CWPD1208J-109	PAD,9X17X42,4HOLES,W/BP,TURQSE,W/SL	17.09
CWPD1208J-110	PAD,9X17X42,4HOLES,W/BP,RASP,W/SLIP	17.1
CWPD1208J-111	PAD,9X17X42,4HOLES,W/BP,PLUM,W/SLIP	17.11
CWPD1208J-112	PAD,9X17X42,4HOLES,W/BP,REGIMENT,W/	17.12
CWPD1208J-113	PAD,9X17X42,4HOLES,W/BP,SPC BLUE,W/	17.13
CWPD1208J-115	PAD,9X17X42,4HOLES,W/BP,BLK LTHR,W/	17.15
CWPD1208J-116	PAD,9X17X42,4HOLES,W/BP,NVBL LTH,W/	17.16
CWPD1208J-117	PAD,9X17X42,4HOLES,W/BP,PUTTY,W/SLI	17.17
CWPD1208J-118	PAD,9X17X42,4HOLES,W/BP,IMPRL BL,W/	17.18
CWPD1208J-119	PAD,9X17X42,4HOLES,W/BP,YEW GRN,W/S	17.19
CWPD1208J-120	PAD,9X17X42,4HOLES,W/BP,DSTY JD,W/S	17.2
CWPD1208J-121	PAD,9X17X42,4HOLES,W/BP,TER COT,W/S	17.21
CWPD1208J-122	PAD,9X17X42,4HOLES,W/BP,PAPRIKA,W/S	17.22
CWPD1208J-123	PAD,9X17X42,4HLS,W/BP,ASH LTHR,W/SL	17.23
CWPD1208J-124	PAD,9X17X42,4HLS,W/BP,CERULAN LTHR,	17.24
CWPD1208J-125	PAD,9X17X42,4HLS,W/BP,CHARCOAL LTHR	17.25
CWPD1208J-126	PAD,9X17X42,4HLS,W/BP,HUNTER LTHR,W	17.26
CWPD1208J-127	PAD,9X17X42,4HLS,W/BP,MOSS LTHR,W/S	17.27
CWPD1208J-128	PAD,9X17X42,4HLS,W/BP,SPICE LTHR,W/	17.28
CWPD1208J-129	PAD,9X17X42,4HLS,W/BP,TOMATO LTHR,W	17.29
CWPD1401A-101	PAD,5.625ODX1.5IDX8.125,BLACK	18.01
CWPD1401A-102	PAD,5.625ODX1.5IDX8.125,RYL BL	18.02
CWPD1401A-103	PAD,5.625ODX1.5IDX8.125,DV GRY	18.03
CWPD1401A-104	PAD,5.625ODX1.5IDX8.125,CROCUS	18.04
CWPD1401A-105	PAD,5.625ODX1.5IDX8.125,GROTTO	18.05
CWPD1401A-106	PAD,5.625ODX1.5IDX8.125,GRPHTE	18.06
CWPD1401A-107	PAD,5.625ODX1.5IDX8.125,RED	18.07
CWPD1401A-108	PAD,5.625ODX1.5IDX8.125,CH GRN	18.08
CWPD1401A-109	PAD,5.625ODX1.5IDX8.125,TURQSE	18.09
CWPD1401A-110	PAD,5.625ODX1.5IDX8.125,RASP	18.1
CWPD1401A-111	PAD,5.625ODX1.5IDX8.125,PLUM	18.11
CWPD1401A-112	PAD,5.625ODX1.5IDX8.125,REGMNT	18.12
CWPD1401A-113	PAD,5.625ODX1.5IDX8.125,SP BLUE	18.13
CWPD1401A-115	PAD,5.625ODX1.5IDX8.125,BLK LTH	18.15
CWPD1401A-116	PAD,5.625ODX1.5IDX8.125,NB LTH	18.16
CWPD1401A-117	PAD,5.625ODX1.5IDX8.125,PUTTY	18.17
CWPD1401A-118	PAD,5.625ODX1.5IDX8.125,IMPRL BL	18.18
CWPD1401A-119	PAD,5.625ODX1.5IDX8.125,YEW GRN	18.19
CWPD1401A-120	PAD,5.625ODX1.5IDX8.125,DSTY JD	18.2
CWPD1401A-121	PAD,5.625ODX1.5IDX8.125,TER COT	18.21
CWPD1401A-122	PAD,5.625ODX1.5IDX8.125,PAPRIKA	18.22
CWPD1401A-123	PAD,5.625ODX1.5IDX8.125,ASH LTHR	18.23
CWPD1401A-124	PAD,5.625ODX1.5IDX8.125,CERULN LTH	18.24
CWPD1401A-125	PAD,5.625ODX1.5IDX8.125,CHARCL LTH	18.25
CWPD1401A-126	PAD,5.625ODX1.5IDX8.125,HUNTER LTH	18.26
CWPD1401A-127	PAD,5.625ODX1.5IDX8.125,MOSS LTHR	18.27
CWPD1401A-128	PAD,5.625ODX1.5IDX8.125,SPICE LTHR	18.28
CWPD1401A-129	PAD,5.625ODX1.5IDX8.125,TOMATO LTHR	18.29
CWPD1505B-101	PAD,ANG,2P(6X17)(9X17)BLK	19.01
CWPD1505B-102	PAD,ANG,2P(6X17)(9X17)RY BL	19.02
CWPD1505B-103	PAD,ANG,2P(6X17)(9X17)DV GR	19.03

CWPD1505B-104	PAD,ANG,2P(6X17)(9X17)CRCS	19.04
CWPD1505B-105	PAD,ANG,2P(6X17)(9X17)GRTO	19.05
CWPD1505B-106	PAD,ANG,2P(6X17)(9X17)GRPHT	19.06
CWPD1505B-107	PAD,ANG,2P(6X17)(9X17)RED	19.07
CWPD1505B-108	PAD,ANG,2P(6X17)(9X17)CH GR	19.08
CWPD1505B-109	PAD,ANG,2P(6X17)(9X17)TRQS	19.09
CWPD1505B-110	PAD,ANG,2P(6X17)(9X17)RASP	19.1
CWPD1505B-111	PAD,ANG,2P(6X17)(9X17)PLUM	19.11
CWPD1505B-112	PAD,ANG,2P(6X17)(9X17)RGMT	19.12
CWPD1505B-113	PAD,ANG,2P(6X17)(9X17)SP BL	19.13
CWPD1505B-115	PAD,ANG,2P(6X17)(9X17)BLK LT	19.15
CWPD1505B-116	PAD,ANG,2P(6X17)(9X17)NBL LT	19.16
CWPD1505B-117	PAD,ANG,2P(6X17)(9X17),PUTTY	19.17
CWPD1505B-118	PAD,ANG,2P(6X17)(9X17),IMPRL BL	19.18
CWPD1505B-119	PAD,ANG,2P(6X17)(9X17),YEW GRN	19.19
CWPD1505B-120	PAD,ANG,2P(6X17)(9X17),DSTY JD	19.2
CWPD1505B-121	PAD,ANG,2P(6X17)(9X17),TER COT	19.21
CWPD1505B-122	PAD,ANG,2P(6X17)(9X17),PAPRIKA	19.22
CWPD1505B-123	PAD,ANG,2P,6X17,9X17,ASH LTHR	19.23
CWPD1505B-124	PAD,ANG,2P,6X17,9X17,CERULEAN LTH	19.24
CWPD1505B-125	PAD,ANG,2P,6X17,9X17,CHARCOAL LTH	19.25
CWPD1505B-126	PAD,ANG,2P,6X17,9X17,HUNTER LTHR	19.26
CWPD1505B-127	PAD,ANG,2P,6X17,9X17,MOSS LTHR	19.27
CWPD1505B-128	PAD,ANG,2P,6X17,9X17,SPICE LTHR	19.28
CWPD1505B-129	PAD,ANG,2P,6X17,9X17,TOMATO LTHR	19.29
CWPF3441-741	TUBE,STEEL RND DOM 1/2 ID X 0.995"	20
CWPF1457-741	BAR,STEEL, RND, DIA 1" X (3 1/4), 1	21
CWSA1111-721	ASSY,SICKLE,6 POS 25 DEG RANGE, WRK	22
CWHCYN050-100	SCREW,HEX HEAD,BLK XYLAN,1/2-13 X 1	23
CWHCYN050-550	SCREW, HEX,BLK, 1/2-13 X 5 1/2	24
CWKDYN050-059	LOCKNUT, NYLON INSERT, FULL, UNC, 1	25
CWTAYN031-050	SCREW, BUTTON HEAD, BLK XYLAN,5/16	26
CWTAYN031-150	SCREW, BUTTON HEAD, BLK XYLAN,5/16	27
CWTAYN031-300	SCREW, BUTTON HEAD, BLK XYLAN,5/16	28
CWWBKN031-007	WASHER, FLAT, TYPE A, SAE, 5/16 ID	29
CWWBKN050-010	WASHER, FLAT, TYPE A, SAE, 1/2 ID X	30
CWWNKN138-016	WASHER, FLAT, 1 3/8 ID X 3 OD, 0.15	31
CWWALYN031-008	WASHER, SPLIT, 5/16 ID, BL	32
CWWALYN050-013	WASHER, SPLIT, 1/2 ID, BLK XYLAN	33
CW31759-101	LABEL,SMALL PRECOR USA ICARIAN LINE	34
CWAC1179-101	FLOOR PROTECTOR, RUBBER, 4.813 X 2.	501
CWAC1181-101	FLOOR PROTECTOR, RUBBER, 4.563 X 4.	502

113 Decline Bench

Part Number	Description	Bubble Number
CW113SA1-211	ASSY,FRAME,MAIN,113,SKY WHITE	1.01
CW113SA1-221	ASSY,FRAME,MAIN,113,BLACK	1.02
CW113SA1-231	ASSY,FRAME,MAIN,113,RED	1.03
CW113SA1-241	ASSY,FRAME,MAIN,113,PLATINUM SPRKLE	1.04
CW113SA1-251	ASSY,FRAME,MAIN,113,SILVER	1.05
CW113SA1-261	ASSY,FRAME,MAIN,113,BLUE	1.06
CW113SA1-271	ASSY,FRAME,MAIN,113,CHARCOAL	1.07
CW113SA1-281	ASSY,FRAME,MAIN,113,CATHEDRAL GRAY	1.08
CW113SA1-291	ASSY,FRAME,MAIN,113,SILVER VIEN	1.09
CW113SA1-311	ASSY,FRAME,MAIN,113,STONE H	1.11
CW113SA1-321	ASSY,FRAME,MAIN,113,TITANIUM HG	1.12
CW113SA1-331	ASSY,FRAME,MAIN,113,WHITE GLOSS	1.13
CW113SA1-341	ASSY,FRAME,MAIN,113,BLACK ONYX	1.14
CW113SA1-351	ASSY,FRAME,MAIN,113,LIGHT BRONZE	1.15
CW113SA1-361	ASSY,FRAME,MAIN,113,SAPPHIRE BLUE	1.16
CW113SA2-211	ASSY,FRAME,SEAT,113,SKY WHITE	2.01
CW113SA2-221	ASSY,FRAME,SEAT,113,BLACK	2.02
CW113SA2-231	ASSY,FRAME,SEAT,113,RED	2.03
CW113SA2-241	ASSY,FRAME,SEAT,113,PLATINUM SPRKLE	2.04
CW113SA2-251	ASSY,FRAME,SEAT,113,SILVER	2.05
CW113SA2-261	ASSY,FRAME,SEAT,113,BLUE	2.06
CW113SA2-271	ASSY,FRAME,SEAT,113,CHARCOAL	2.07
CW113SA2-281	ASSY,FRAME,SEAT,113,CATHEDRAL GRAY	2.08
CW113SA2-291	ASSY,FRAME,SEAT,113,SILVER VEIN	2.09
CW113SA2-311	ASSY,FRAME,SEAT,113,STONE HG	2.11
CW113SA2-321	ASSY,FRAME,SEAT,113,TITANIUM HG	2.12
CW113SA2-331	ASSY,FRAME,SEAT,113,WHITE GLOSS	2.13
CW113SA2-341	ASSY,FRAME,SEAT,113,BLACK ONYX	2.14
CW113SA2-351	ASSY,FRAME,SEAT,113,LIGHT BRONZE	2.15
CW113SA2-361	ASSY,FRAME,SEAT,113,SAPPHIRE BLUE	2.16
CW10043-134	BUSHING, BRONZE, 1" ID X 1 1/4" OD	4
CW10043-135	BUSHING, BRONZE, 1 1/4" ID X 1 1/2"	5
CW30165-751	ASSY, POP PIN, 0.450 DIA HANDLE, B	6
CW11311-103	ENDCAP, REC TUBE, 2X2, BLK PLASTIC	7
CW12575-101	MOULDED BUMPON, BLACK, 31.75MM SQ (8
CW11311-102	ENDCAP, REC TUBE, 2X4, BLK PLASTIC	9
CWAC1158-731	SPRING, COMPRESSION, 1 9/32 OD X 1	10
CWGR2505-000	GRIP,RUBBER,3/4" DIA, 5"	13
CWAC220-901	HANDLE END CAP W/SET SCREWS, DIA 3/	14
CWAC221-901	SHAFT END CAP W/SET SCREWS, DIA 1 1	15
CWGR2604-000	GRIP,RUBBER, 1" DIA, 4	16
CWPD1208J-101	PAD,9X17X42,4HOLES,W/BP,BLACK,W/SLI	17.01
CWPD1208J-102	PAD,9X17X42,4HOLES,W/BP,RYL BL,W/SL	17.02
CWPD1208J-103	PAD,9X17X42,4HOLES,W/BP,DVE GRY,W/S	17.03
CWPD1208J-104	PAD,9X17X42,4HOLES,W/BP,CROCUS,W/SL	17.04
CWPD1208J-105	PAD,9X17X42,4HOLES,W/BP,GROTTO,W/SL	17.05
CWPD1208J-106	PAD,9X17X42,4HOLES,W/BP,GRAPHITE,W/	17.06
CWPD1208J-107	PAD,9X17X42,4HOLES,W/BP,RED,W/SLIP	17.07
CWPD1208J-108	PAD,9X17X42,4HOLES,W/BP,CHN GRN,W/S	17.08

CWPD1208J-109	PAD,9X17X42,4HOLES,W/BP,TURQSE,W/SL	17.09
CWPD1208J-110	PAD,9X17X42,4HOLES,W/BP,RASP,W/SLIP	17.1
CWPD1208J-111	PAD,9X17X42,4HOLES,W/BP,PLUM,W/SLIP	17.11
CWPD1208J-112	PAD,9X17X42,4HOLES,W/BP,REGIMENT,W/	17.12
CWPD1208J-113	PAD,9X17X42,4HOLES,W/BP,SPC BLUE,W/	17.13
CWPD1208J-115	PAD,9X17X42,4HOLES,W/BP,BLK LTHR,W/	17.15
CWPD1208J-116	PAD,9X17X42,4HOLES,W/BP,NVBL LTH,W/	17.16
CWPD1208J-117	PAD,9X17X42,4HOLES,W/BP,PUTTY,W/SLI	17.17
CWPD1208J-118	PAD,9X17X42,4HOLES,W/BP,IMPRL BL,W/	17.18
CWPD1208J-119	PAD,9X17X42,4HOLES,W/BP,YEW GRN,W/S	17.19
CWPD1208J-120	PAD,9X17X42,4HOLES,W/BP,DSTY JD,W/S	17.2
CWPD1208J-121	PAD,9X17X42,4HOLES,W/BP,TER COT,W/S	17.21
CWPD1208J-122	PAD,9X17X42,4HOLES,W/BP,PAPRIKA,W/S	17.22
CWPD1208J-123	PAD,9X17X42,4HLS,W/BP,ASH LTHR,W/SL	17.23
CWPD1208J-124	PAD,9X17X42,4HLS,W/BP,CERULAN LTHR,	17.24
CWPD1208J-125	PAD,9X17X42,4HLS,W/BP,CHARCOAL LTHR	17.25
CWPD1208J-126	PAD,9X17X42,4HLS,W/BP,HUNTER LTHR,W	17.26
CWPD1208J-127	PAD,9X17X42,4HLS,W/BP,MOSS LTHR,W/S	17.27
CWPD1208J-128	PAD,9X17X42,4HLS,W/BP,SPICE LTHR,W/	17.28
CWPD1208J-129	PAD,9X17X42,4HLS,W/BP,TOMATO LTHR,W	17.29
CWPD1401A-101	PAD,5.625ODX1.5IDX8.125,BLACK	18.01
CWPD1401A-102	PAD,5.625ODX1.5IDX8.125,RYL BL	18.02
CWPD1401A-103	PAD,5.625ODX1.5IDX8.125,DV GRY	18.03
CWPD1401A-104	PAD,5.625ODX1.5IDX8.125,CROCUS	18.04
CWPD1401A-105	PAD,5.625ODX1.5IDX8.125,GROTTO	18.05
CWPD1401A-106	PAD,5.625ODX1.5IDX8.125,GRPHTE	18.06
CWPD1401A-107	PAD,5.625ODX1.5IDX8.125,RED	18.07
CWPD1401A-108	PAD,5.625ODX1.5IDX8.125,CH GRN	18.08
CWPD1401A-109	PAD,5.625ODX1.5IDX8.125,TURQSE	18.09
CWPD1401A-110	PAD,5.625ODX1.5IDX8.125,RASP	18.1
CWPD1401A-111	PAD,5.625ODX1.5IDX8.125,PLUM	18.11
CWPD1401A-112	PAD,5.625ODX1.5IDX8.125,REGMNT	18.12
CWPD1401A-113	PAD,5.625ODX1.5IDX8.125,SP BLUE	18.13
CWPD1401A-115	PAD,5.625ODX1.5IDX8.125,BLK LTH	18.15
CWPD1401A-116	PAD,5.625ODX1.5IDX8.125,NB LTH	18.16
CWPD1401A-117	PAD,5.625ODX1.5IDX8.125,PUTTY	18.17
CWPD1401A-118	PAD,5.625ODX1.5IDX8.125,IMPRL BL	18.18
CWPD1401A-119	PAD,5.625ODX1.5IDX8.125,YEW GRN	18.19
CWPD1401A-120	PAD,5.625ODX1.5IDX8.125,DSTY JD	18.2
CWPD1401A-121	PAD,5.625ODX1.5IDX8.125,TER COT	18.21
CWPD1401A-122	PAD,5.625ODX1.5IDX8.125,PAPRIKA	18.22
CWPD1401A-123	PAD,5.625ODX1.5IDX8.125,ASH LTHR	18.23
CWPD1401A-124	PAD,5.625ODX1.5IDX8.125,CERULN LTH	18.24
CWPD1401A-125	PAD,5.625ODX1.5IDX8.125,CHARCL LTH	18.25
CWPD1401A-126	PAD,5.625ODX1.5IDX8.125,HUNTER LTH	18.26
CWPD1401A-127	PAD,5.625ODX1.5IDX8.125,MOSS LTHR	18.27
CWPD1401A-128	PAD,5.625ODX1.5IDX8.125,SPICE LTHR	18.28
CWPD1401A-129	PAD,5.625ODX1.5IDX8.125,TOMATO LTHR	18.29
CWPD1505B-101	PAD,ANG,2P(6X17)(9X17)BLK	19.01
CWPD1505B-102	PAD,ANG,2P(6X17)(9X17)RY BL	19.02
CWPD1505B-103	PAD,ANG,2P(6X17)(9X17)DV GR	19.03

CWPD1505B-104	PAD,ANG,2P(6X17)(9X17)CRCS	19.04
CWPD1505B-105	PAD,ANG,2P(6X17)(9X17)GRTO	19.05
CWPD1505B-106	PAD,ANG,2P(6X17)(9X17)GRPHT	19.06
CWPD1505B-107	PAD,ANG,2P(6X17)(9X17)RED	19.07
CWPD1505B-108	PAD,ANG,2P(6X17)(9X17)CH GR	19.08
CWPD1505B-109	PAD,ANG,2P(6X17)(9X17)TRQS	19.09
CWPD1505B-110	PAD,ANG,2P(6X17)(9X17)RASP	19.1
CWPD1505B-111	PAD,ANG,2P(6X17)(9X17)PLUM	19.11
CWPD1505B-112	PAD,ANG,2P(6X17)(9X17)RGMT	19.12
CWPD1505B-113	PAD,ANG,2P(6X17)(9X17)SP BL	19.13
CWPD1505B-115	PAD,ANG,2P(6X17)(9X17)BLK LT	19.15
CWPD1505B-116	PAD,ANG,2P(6X17)(9X17)NBL LT	19.16
CWPD1505B-117	PAD,ANG,2P(6X17)(9X17),PUTTY	19.17
CWPD1505B-118	PAD,ANG,2P(6X17)(9X17),IMPRL BL	19.18
CWPD1505B-119	PAD,ANG,2P(6X17)(9X17),YEW GRN	19.19
CWPD1505B-120	PAD,ANG,2P(6X17)(9X17),DSTY JD	19.2
CWPD1505B-121	PAD,ANG,2P(6X17)(9X17),TER COT	19.21
CWPD1505B-122	PAD,ANG,2P(6X17)(9X17),PAPRIKA	19.22
CWPD1505B-123	PAD,ANG,2P,6X17,9X17,ASH LTHR	19.23
CWPD1505B-124	PAD,ANG,2P,6X17,9X17,CERULEAN LTH	19.24
CWPD1505B-125	PAD,ANG,2P,6X17,9X17,CHARCOAL LTH	19.25
CWPD1505B-126	PAD,ANG,2P,6X17,9X17,HUNTER LTHR	19.26
CWPD1505B-127	PAD,ANG,2P,6X17,9X17,MOSS LTHR	19.27
CWPD1505B-128	PAD,ANG,2P,6X17,9X17,SPICE LTHR	19.28
CWPD1505B-129	PAD,ANG,2P,6X17,9X17,TOMATO LTHR	19.29
CWPF3441-741	TUBE,STEEL RND DOM 1/2 ID X 0.995"	20
CWPF1457-741	BAR,STEEL, RND, DIA 1" X (3 1/4), 1	21
CWSA1111-721	ASSY,SICKLE,6 POS 25 DEG RANGE, WRK	22
CWHCYN050-100	SCREW,HEX HEAD,BLK XYLAN,1/2-13 X 1	23
CWHCYN050-550	SCREW, HEX,BLK, 1/2-13 X 5 1/2	24
CWKDYN050-059	LOCKNUT, NYLON INSERT, FULL, UNC, 1	25
CWTAYN031-050	SCREW, BUTTON HEAD, BLK XYLAN,5/16	26
CWTAYN031-150	SCREW, BUTTON HEAD, BLK XYLAN,5/16	27
CWTAYN031-300	SCREW, BUTTON HEAD, BLK XYLAN,5/16	28
CWWBKN031-007	WASHER, FLAT, TYPE A, SAE, 5/16 ID	29
CWWBKN050-010	WASHER, FLAT, TYPE A, SAE, 1/2 ID X	30
CWWNKN138-016	WASHER, FLAT, 1 3/8 ID X 3 OD, 0.15	31
CWWALYN031-008	WASHER, SPLIT, 5/16 ID, BL	32
CWWALYN050-013	WASHER, SPLIT, 1/2 ID, BLK XYLAN	33
CW31759-101	LABEL,SMALL PRECOR USA ICARIAN LINE	34
CWAC1179-101	FLOOR PROTECTOR, RUBBER, 4.813 X 2.	501
CWAC1181-101	FLOOR PROTECTOR, RUBBER, 4.563 X 4.	502